

- 6) Glue and nail pieces D and E to the previously cut plywood as shown (Fig. 6) with 3/4" finishing nails. Use the 23 11/32" measurement only to find the apex of the triangles; do not cut this line. Cut the triangles as shown, cutting the same angle on the doorstep or moulding. Wipe off any excess glue and set the nails.
- 7) Fold open the frame and insert the top and bottom shelf support brackets and lay in the top and bottom shelves. Attach the angle screws as shown (Fig. 7, Detail A & B) using eight 1" #8 tighthead screws.
- 8) Sand to remove the pencil marks. Finish with lacquer, varnish, or oil.
- 9) Set shelves at desired height using adjustable shelf supports (Fig. 8)

On materials:
 As with all materials, the better of the quality of the materials, the better the project will be. For utility shelving, use spruce, fir, or pine. For furniture shelving, use oak, birch, or mahogany. Always ensure the 2x2 is relatively free of knots, and totally free of knots that cross the width of the board.

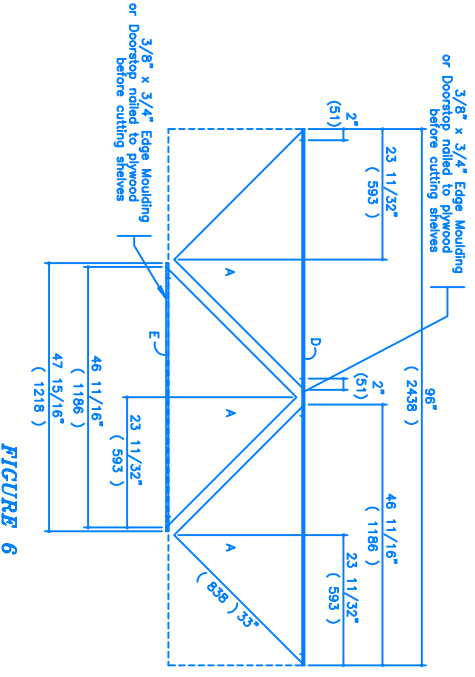


FIGURE 6

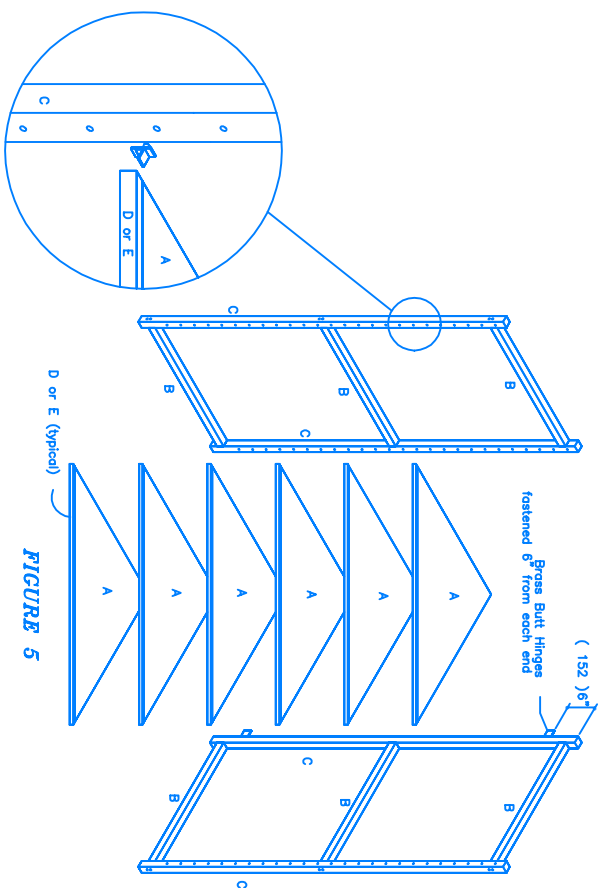
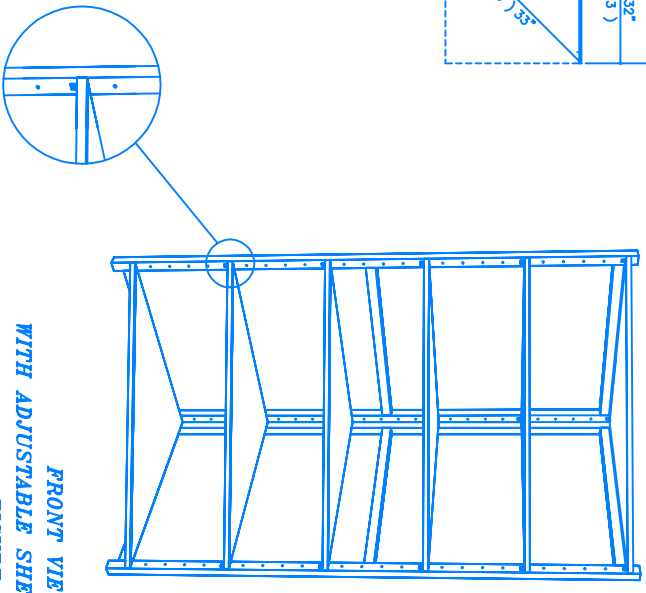
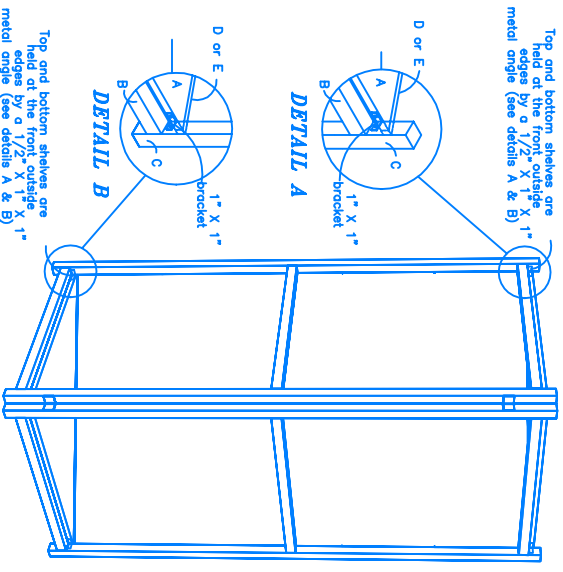


FIGURE 5



FRONT VIEW
 WITH ADJUSTABLE SHELVES
 FIGURE 8



REAR VIEW
 WITHOUT ADJUSTABLE SHELVES
 FIGURE 7